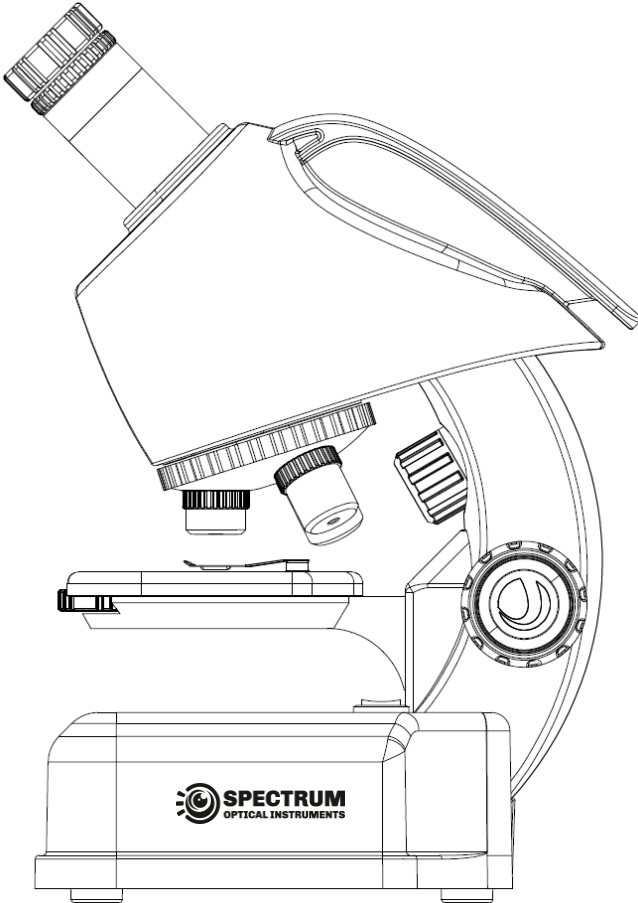


# EasyMicro

Compound Microscope 40X – 640X



## INSTRUCTION MANUAL

For SOIEM40640

Scan QR code  
for set up video



Introducing the brand new EasyMicro Compound Microscope: your gateway to the microscopic world!

Easy to use and perfect for beginners, this EasyMicro Compound Microscope offers endless fascination and discovery. It's fun and educational tool, ideal for both amateurs and professionals alike. Whether as a gift or for lab use, this microscope promises hours of exploration and insight into the unseen realms of the microscopic universe.

This microscope carries a **three year limited warranty**. For details see our website at [www.spectrumoi.com](http://www.spectrumoi.com)

Some of the outstanding features of the EasyMicro Compound Microscope includes:

- Preassembled microscope body for quick and easy setup,
- LED illumination for bright and adjustable light source,
- 8 sample specimen slides for indoor exploration,
- 2 blank slides for making your own specimens,
  
- Set of lab tools for sample slides creation.

Please take time to read through this manual before exploring the microscopic world around you. This manual helps you get familiar with your microscope, so we recommend to keep this manual around until you have fully mastered the microscope's operation. This manual gives detailed information regarding each step as well as needed reference material and helpful hints to make your observing experience simple and pleasurable.

Your microscope is designed to give you years of fun and rewarding observations. However, there are a few things to consider before using your microscope that will ensure your safety and protect your equipment.

# SPECIFICATIONS

# EasyMicro Microscope

<b>Model</b>	<b>SOIEM40640</b>
<b>Magnification</b>	40X – 640X
<b>Eyepiece</b>	10x ~ 16X
<b>Objective</b>	4X, 10X, 40x
<b>Lighting</b>	Dimmable LED lighted
<b>Light Setting</b>	Back Lighted and Bottom Lighted
<b>Battery</b>	2X AA (included)
<b>Sample specimen</b>	8
<b>Blank slides</b>	2 w/ glass cover w/ blank sticker
<b>Other accessories</b>	Phone adapter Circular Sample cutter Plastic magnifier Plastic tweezer 3X Specimen vial Eyepiece Eye Relief Sample Holder Replacement LED 10ml Graduated Cylinder Plastic Pipette

## Parts List

This section covers the parts included for your EasyMicro Compound Microscope.

Each EasyMicro Compound Microscope comes in one box. The pieces in the box including the following:



**FIG.1 Included Items**

1. Microscope Body
2. Phone Adapter
3. Carry Box containing 8X Specimen Slides and 2x Blank Slides
4. Pipette
5. Sample Holder
6. Vial
7. 10ml Graduated Cylinder
8. Magnifier
9. Tweezer
10. Screwdriver
11. Carry Box containing Slide Slip and Stickers
12. Eyepiece Eye Relief
13. Replacement LED
14. Circular Cutter

## Major Parts List

This section covers the name of the major components of your EasyMicro Compound Microscope.

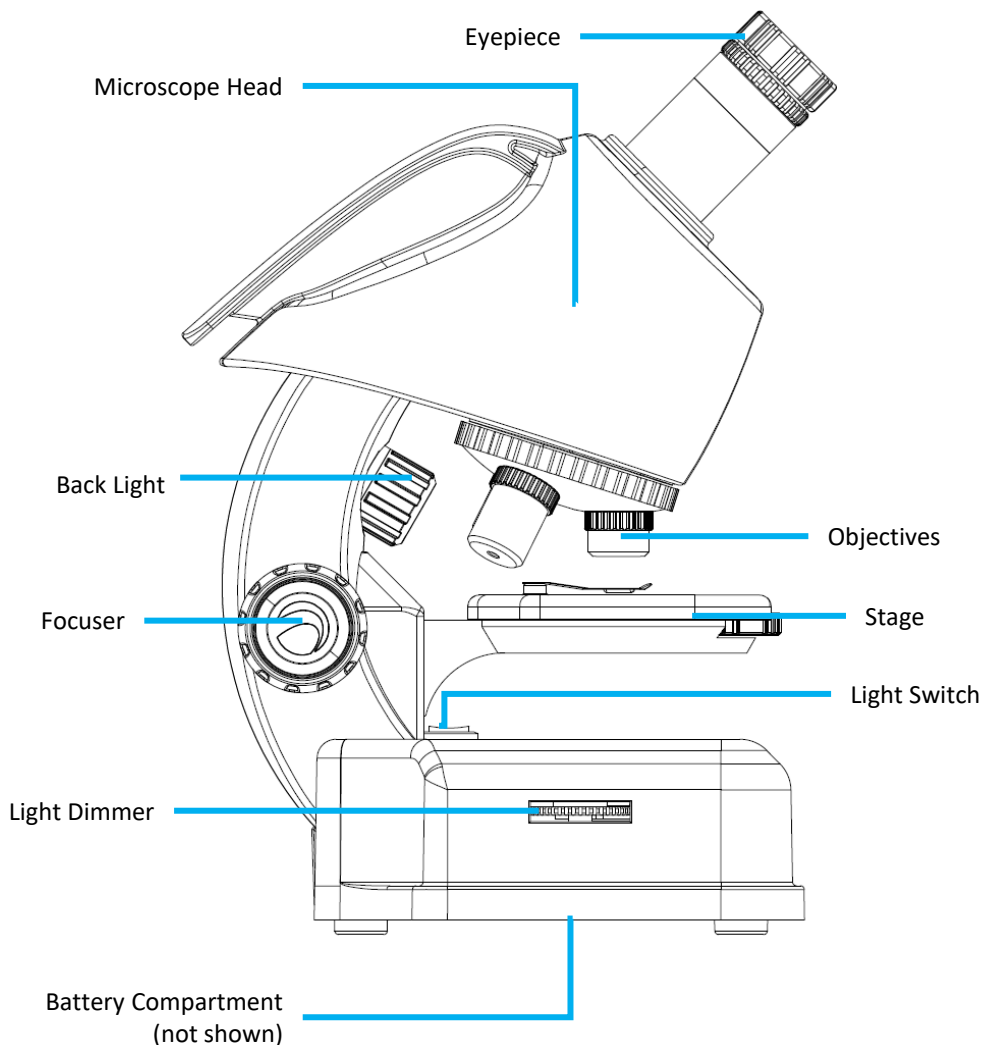
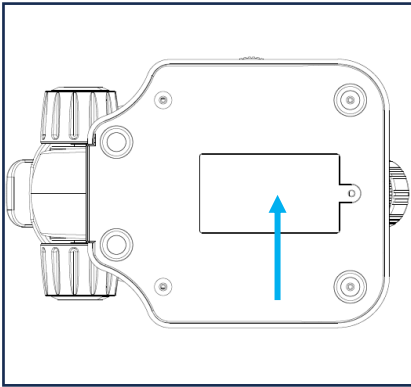


FIG.2 Major Components

## Eye Viewing



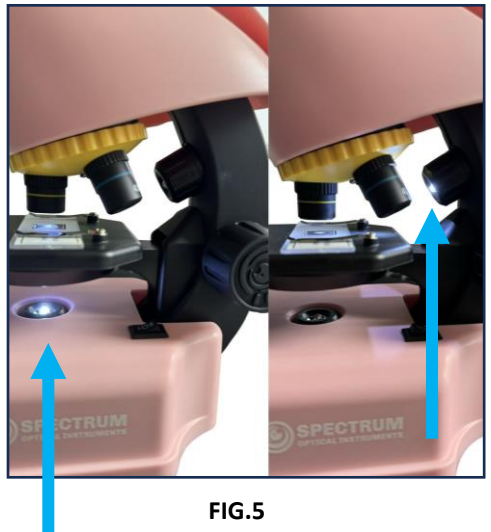
**FIG.3**



**FIG.4**

1. The microscope comes preassemble, so setting it up it easy and quick. Place the microscope on a table before operating the microscope.
2. Remove the microscope body from the package and place the microscope sideways so that you can access the battery compartment that is located on the bottom of the microscope. (See Fig.3)
3. Remove the screw with the included screw driver to gain access to the battery compartment. Install the two included AA battery and reinstall the battery cover. Now, the microscope is ready for use.
4. It is recommended that to start off with the lowest magnification. Locate the eyepiece and rotate it counter-clockwise until it tops out at the 10X location (see Fig. 4). Locate the objective lenses and rotate the objective lenses until the 4X objective lens directly above the object. When finished, the microscope is at it lowest magnification state at 40X.

5. Turn on the LED by pressing LED on-off Switch. Please note that there are two settings for the LED light. When it is set at I, the bottom light turns on (see Fig. 5); when it is set at II, the back light turns on (see Fig. 6).
6. Locate the LED dimmer located on the left side of the microscope and adjust the brightness of the LED accordingly.



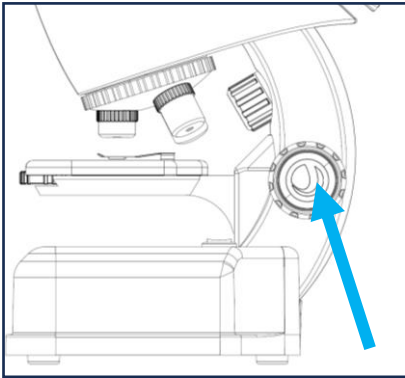
**FIG.5**

## Eye Viewing



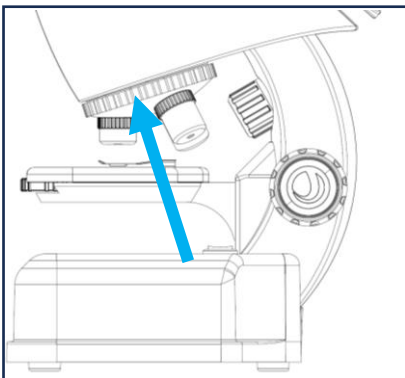
**FIG.6**

7. take one of the specimen slides out of the box, and place it onto the stage. Clip the slide in place so it does not move around as shown in Fig. 6.
8. Turn on the LED light and look through the eyepiece, you may need to move the specimen slide around so that it is centered in the eyepiece.
9. Locate the focuser (see Fig. 7) and slowly rotate the focuser until the image in the eyepiece comes to a sharp focus.



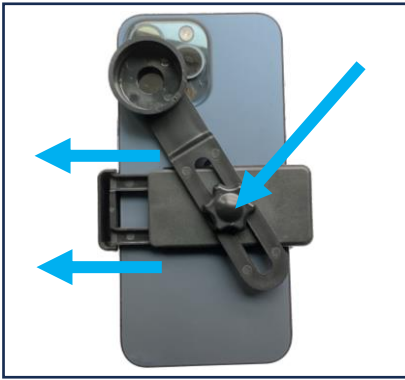
**FIG.7**

10. Rotate the objective (see Fig. 8) and the eyepiece to increase the magnification for more details. You may need to adjust the focus again.



**FIG.8**

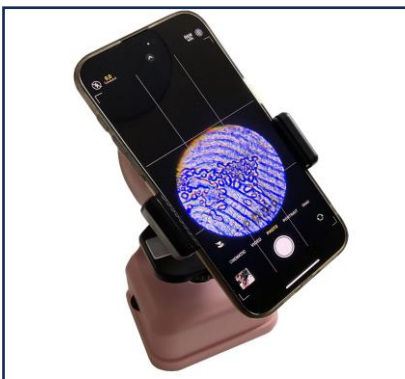
## Using with a Phone



**FIG.9**

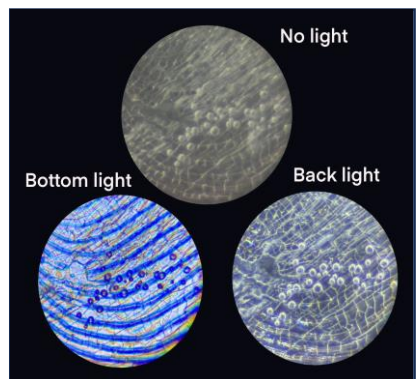


**FIG.10**



**FIG.11**

1. Remove the phone holder from the package.
2. Open the phone clamp and securely place the phone onto the phone clamp.
3. Loosen the phone clamp lock knob to allow movement of the phone. Shown in Fig. 9
4. Place the phone holder onto the eyepiece. Please make sure the phone holder is installed onto the eyepiece all the way to prevent the phone from dropping. See Fig. 10
5. Open the phone APP on your phone and move the phone around until a circle of light appear in the center of your screen as shown in Fig. 11. And tighten the phone holder lock knob to lock the phone in place.
6. Now, you are ready to take a picture with the microscopic world with your phone! (See Fig. 12)



**FIG.12**

# Accessories

1. **Plastic Vial:** a small cylindrical container for holding liquid substance. You could use these vials to hold any liquid that you would like to observe.
2. **Plastic Holder:** a small holder for containing solids. You may use this to collect small rocks, leaves, feather, and etc.
3. **Pipette:** a tool used to measure out or transfer small quantities of liquid. You may use the pipette to transfer liquid into the vial.
4. **10ml Graduated Cylinder:** Graduated cylinders are used to measure the volume of liquids.
5. **Magnifier:** the magnifier is included for quick observation, it makes the objects appear larger.
6. **Tweezer:** this is a small hand tool used for grasping objects too small to be easily handled with human fingers.
7. **Circular Cutter:** this is used to cut soft materials such as vegetable, cloth, paper and etc. The enclosed circular blade provides higher grade of safety versus cutter knife.

# Making your own specimens

1. Take one of the blank slides by its side to avoid leaving finger prints on it. Use cleaning cloth to clean any dirt or debris off the slide if any.
2. If the specimen is already in water or any solution, use a pipette to place the solution sample on the center of the slide.
3. If the specimen is not in solution, place a drop of water with the pipette onto the slide.
4. Then place the object to be viewed on top of the droplet.
5. Take a glass cover slip, hold it by its side to avoid putting finger print on it. Touch one side of the cover slip to the slide, then allow the cover slip to drop on top of the specimen.
6. The microscope slide is now ready for viewing. Label it if you'd like to.

# THREE YEAR WARRANTY

Thank you for choosing Spectrum Optical Instruments as your trusted source for telescopes, microscopes and other optical products. We stand behind the quality of our products and offer a **THREE-YEAR limited warranty** from the date of purchase within the US. If a defect is identified on a new product, Spectrum Optical Instruments will repair or replace a product with proof of original purchase. Please note that this warranty only applies to the original purchaser and it is not transferable. Any product that is purchased from anyone or organization other than Spectrum Optical Instruments or authorized dealer is not covered in this warranty.

Additionally, this warranty does NOT cover damage caused by misuse, mishandling, unauthorized repairs, or normal wear and tear. Spectrum Optical Instruments specifically disclaims special, indirect, or consequential damages or lost profit which may result from a breach of this warranty. Any implied warranties which cannot be disclaimed are hereby limited to a term of three years from the date of original retail purchase.

Spectrum Optical Instruments shall use reasonable efforts to repair or replace any product covered by this warranty within thirty days of receipt. In an event where repairing or replacement would require more than thirty days, Spectrum Optical Instruments shall notify the customer in advanced. Spectrum Optical Instruments reserves the right to replace any obsolete product with a new product of comparable price and performance.

Spectrum Optical Instruments reserves the right to change product specifications or to discontinue products without notice. This warranty gives specific rights. You may have other rights which vary from state to state. For warranty inquires, please contact: [customer@spectrumoi.com](mailto:customer@spectrumoi.com)

# RETURN POLICY

As a condition to the obligation to repair or replace your product, the product needs to be returned to Spectrum Optical Instruments with proof of original purchase from Spectrum Optical Instruments or an authorized dealer.

A claim is required to be filed before return of a product. A claim template can be obtained from Spectrum Optical Instruments by email. Please contact customer service at [customer@spectrumoi.com](mailto:customer@spectrumoi.com) in such an event. Each return product must include a written statement detailing the nature of the claimed defect. As well as the original purchaser's name, address, and contact information.

Buyers are responsible for return shipping and handling cost for warranty services after 30 days of original purchase. Our warranty covers parts and labor only.

Spectrum Optical Instruments reserves the rights to replace an obsolete product with a new product of comparable price and performance. In event of a defected product shall be replaced by a new product, the defected product become the property of Spectrum Optical Instruments. Spectrum Optical Instruments does not issue refunds but only repair or replacement.

# CUSTOMER SERVICE

## Our Focus: Customer Satisfaction

Our dedication to your satisfaction is at the core of everything we do. We understand the importance of having the optical instrument to enhance your pursuits, whether you're exploring the cosmos or diving into the microscopic world.

## US-based team, Lightning-fast Response

When you reach out to us, you're not just getting assistance; you're connecting with a team of professional experts right here in California. We're proud to be based in the USA, and we stand by our commitment to provide you with answer and support within 24 hours. Your questions and concerns are our top priority.

## Contact us Today!

Have a question of need assistance? Reach our to Spectrum Optical Instruments. We're here to help you achieve optical excellence. Feel free to contact us via email and we will be ready to assist you promptly.

Thank you for choosing Spectrum Optical Instruments. Your optical journey begins here, and we're excited to be a part of it.

Email us: [customer@spectrumoi.com](mailto:customer@spectrumoi.com)

Visit our website: [www.spectrumoi.com](http://www.spectrumoi.com)

